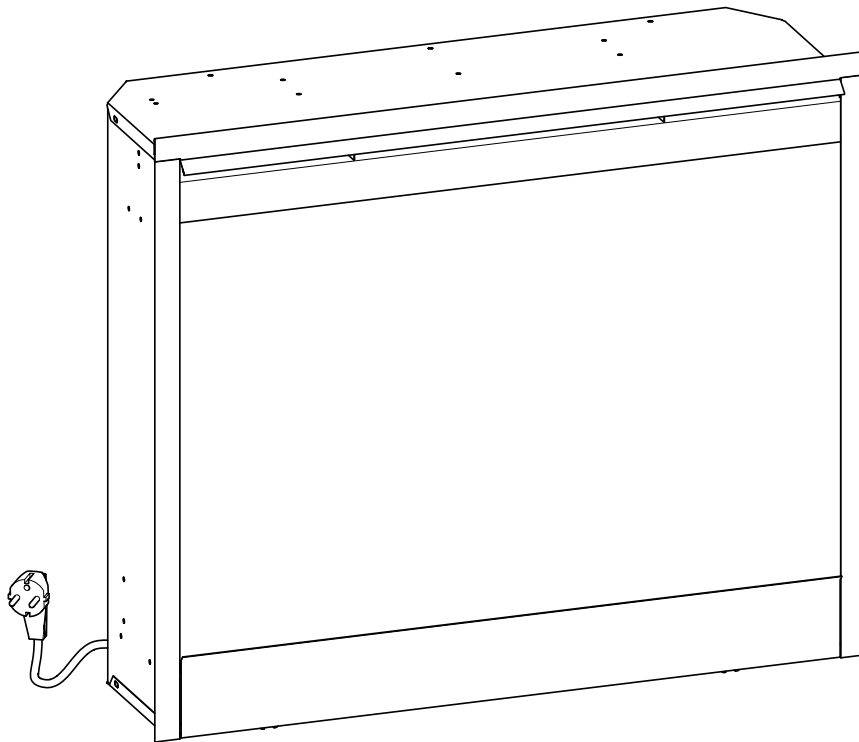


# Dimplex



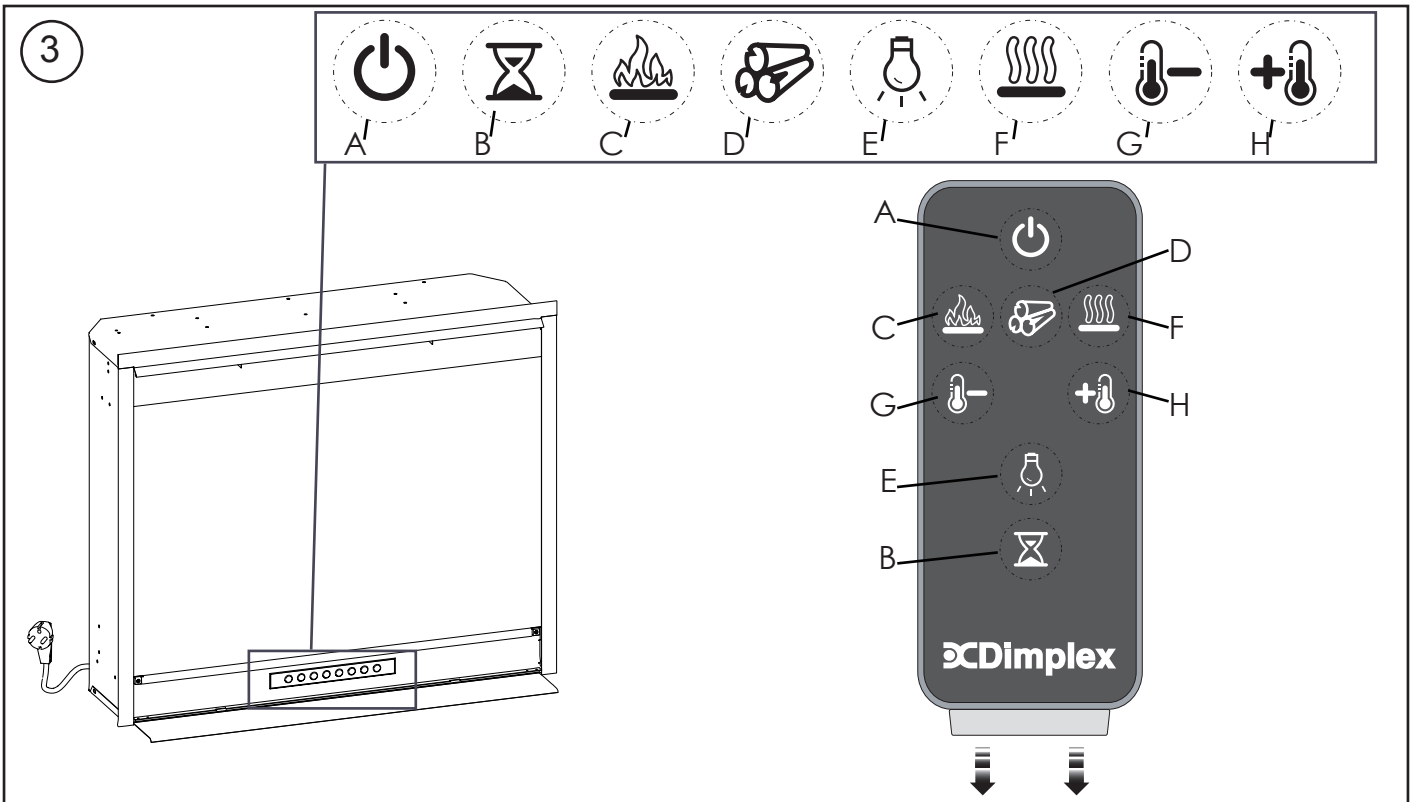
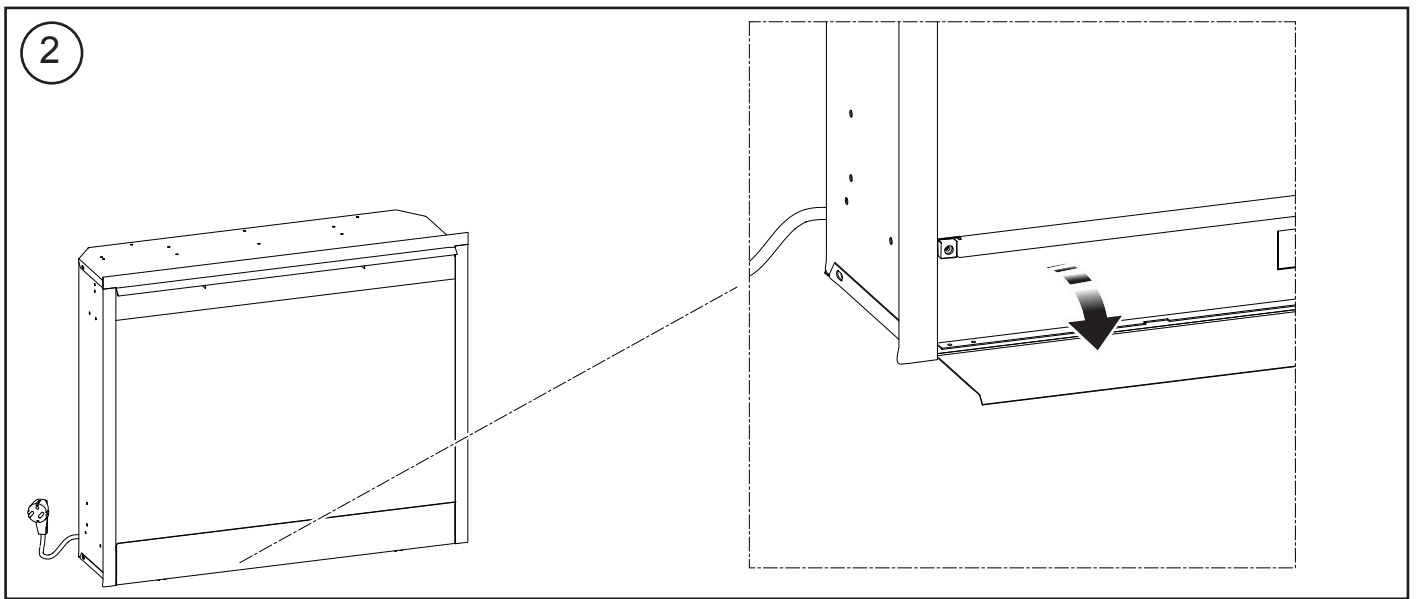
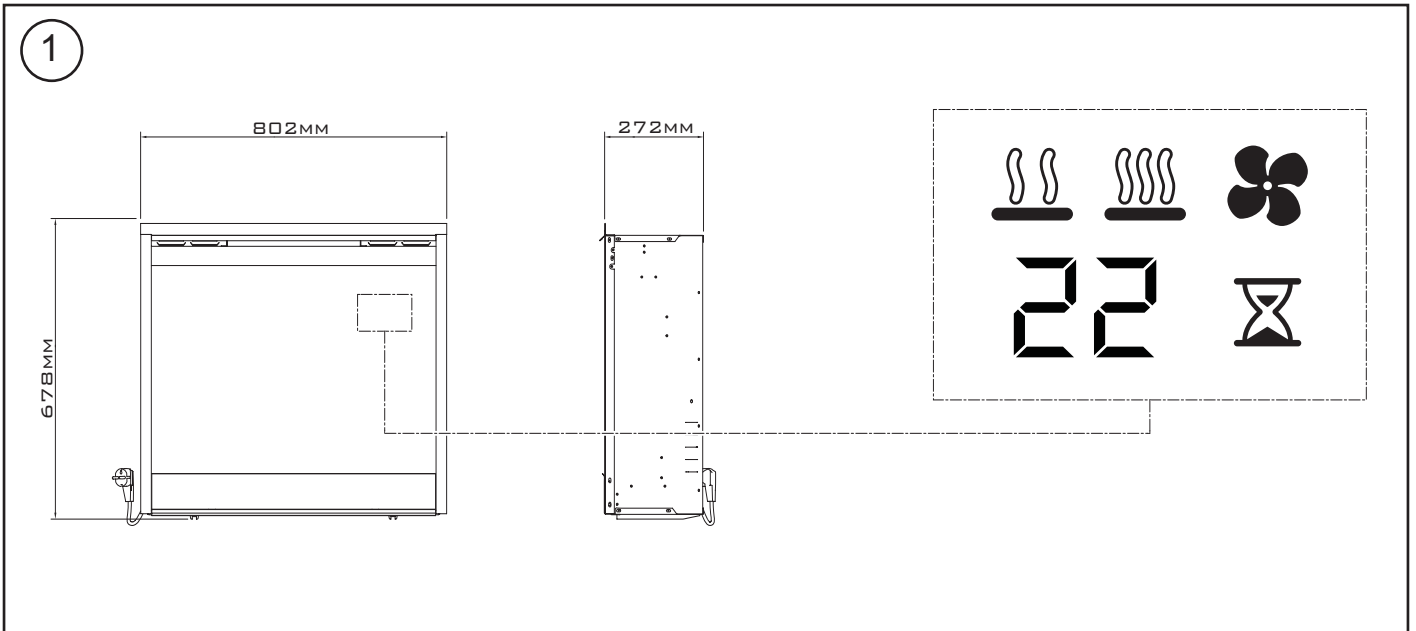
## 30" FIREBOX

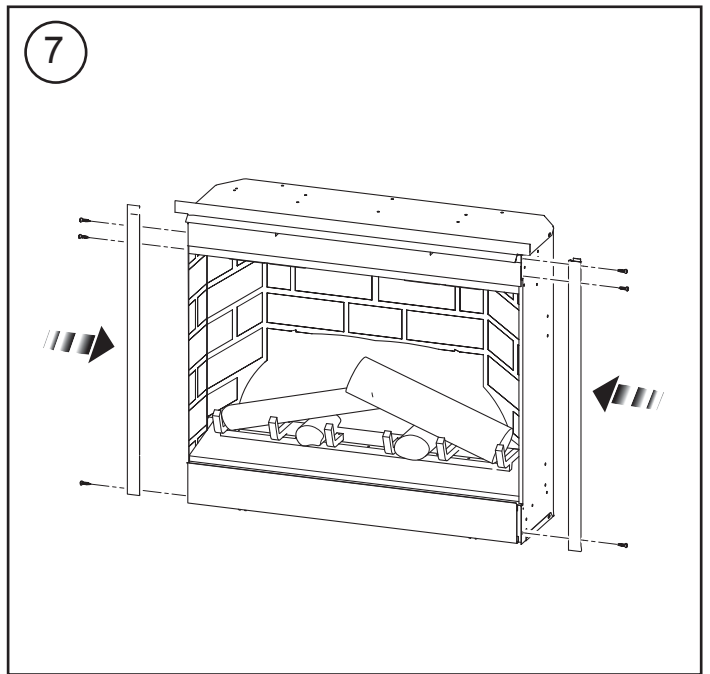
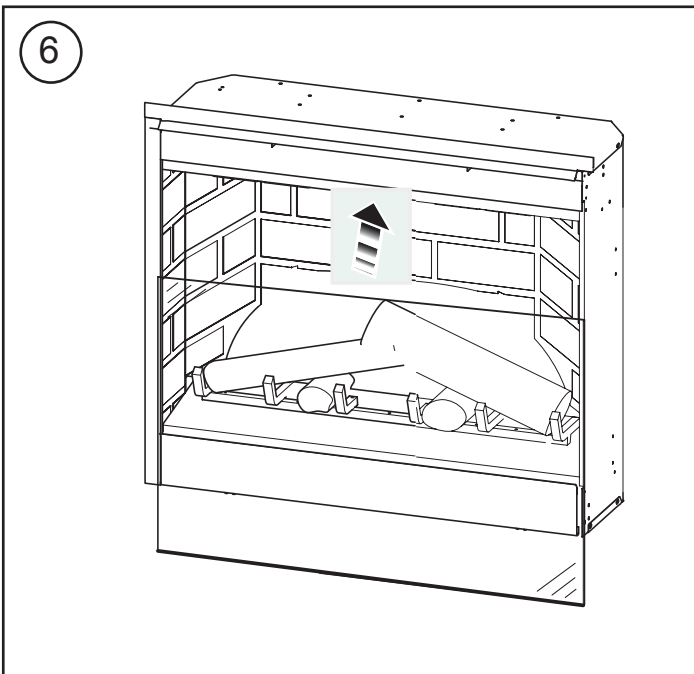
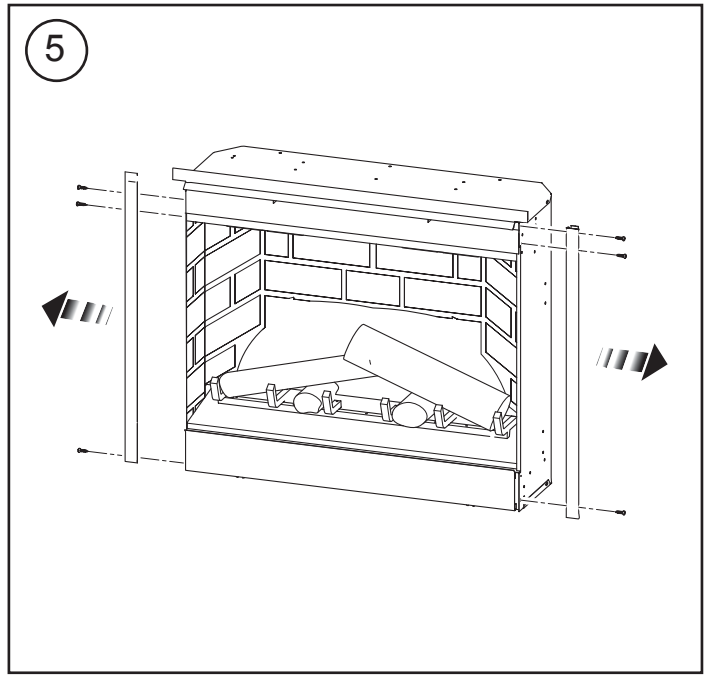
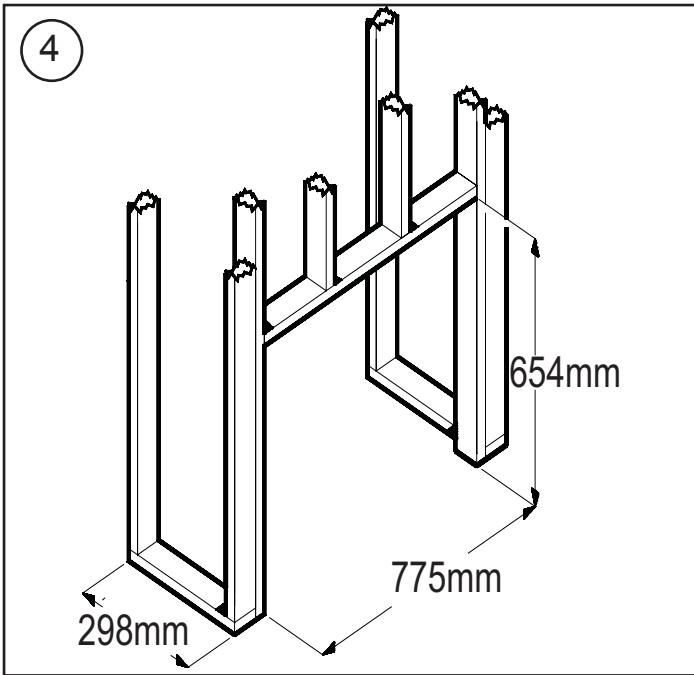
EN

RU

UA

FR





### Important Safety Advice

When using electrical appliances, basic precautions should be followed to reduce the risk of fire, electric shock, and injury to persons, including the following: If the appliance is damaged, check immediately with the supplier before installation and operation.

Do not use this appliance in the immediate surroundings of a bath, shower or swimming pool.

Do not use outdoors.

This appliance must not be located immediately above or below a fixed socket outlet or connection box.

**⚠ WARNING:** The appliance carries the Warning Symbol indicating that it must not be covered or has a Do not cover label. Do not cover or obstruct in any way the heat outlet grille located above the flame window on the appliance. Overheating will result if the appliance is accidentally covered. Do not place material or garments on the appliance, or obstruct the air circulation around the appliance, for instance by curtains or furniture, as this could cause overheating and a fire risk.

In the event of a fault unplug the heater. Unplug the appliance when not required for long periods. The supply cord must be placed on the right hand side of the heater away from the heat outlet underneath the appliance.

This appliance can be used by children aged from 8 years and above and persons with reduced physical, sensory or mental capabilities or lack of experience and knowledge if they have been given supervision or instruction concerning use of the appliance in a safe way and understand the hazards involved. Children shall not play with the appliance. Cleaning and user maintenance shall not be made by Children without supervision. Children of less than 3 years should be kept away unless continuously supervised. Children aged from 3 years and less than 8 years shall only switch on/off the appliance provided that it has been placed or installed in its intended normal operating position and they have been given supervision or instruction concerning use of the appliance in a safe way and understanding the hazards involved. Children aged from 3 years and less than 8 years shall not plug in, regulate and clean the appliance or perform user maintenance.

The appliance must be positioned so that the plug is accessible.

Although this appliance complies with safety standards, we do not recommend its use on deep pile carpets or on long hair type of rugs.

If the supply cord is damaged it must be

replaced by the manufacturer or service agent or similarly qualified person in order to avoid a hazard.

**CAUTION:** In order to avoid a hazard due to inadvertent resetting of the thermal cut-out, this appliance must not be supplied through an external switching device, such as a timer, or connected to a circuit that is regularly switched on and off by the utility.

**CAUTION** - Some parts of this product can become very hot and cause burns. Particular attention has to be given where children and vulnerable people are present.

### Technical Information

Model No: DF2608-EUE, DF2608-INT, DF2608-AU, DF3020-EUE, DF3020-INT

Heat Output **230V 240V**

Nominal Heat Output	$P_{Nom}$	1.9	-	2.0	kW
Minimum Heat Output	$P_{min}$	0.9	-	1.0	kW
Maximum Continuous Heat Output	$P_{max,c}$	1.9	-	2.0	kW

Auxiliary Electricity Consumption

In Standby mode	$eI_{SB}$	0.41	-	0.42	W
-----------------	-----------	------	---	------	---

with electronic room temperature control

### General

Unpack the heater carefully and retain the packaging for possible future use, in the event of moving or returning the fire to your supplier.

The fire incorporates a flame effect, which can be used with or without heating, so that the comforting effect may be enjoyed at any time of the year. Using the flame effect on its own only requires little electricity.

Before connecting the heater check that the supply voltage is the same as that stated on the heater.

**Please note:** Used in an environment where background noise is very low, it may be possible to hear a sound which is related to the operation of the flame effect. This is normal and should not be a cause for concern.













### Electrical Connection

**⚠ WARNING: THIS APPLIANCE MUST BE EARTHED**


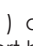

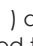
This heater must be used on an AC ~ supply only and the voltage marked on the heater must correspond to the supply voltage.

Before switching on, please read the safety warnings and operating instructions.

**Controls:** See Fig. 3

	Icon	Display	Function	Description
A		-	Power / Standby	Press once to turn the product 'ON'. Press a second time to put the product into 'STANDBY' (When returning from 'STANDBY' mode the product will return to previous settings unless the product has been plugged out, in which case it will reset to factory settings)
B			Sleep Timer	Press multiple times to change the 'SLEEP TIMER' in 0.5 hr increments from 0.5 hr to 8.0 hr before turning off. The remaining time on the 'SLEEP TIMER' displays. (This icon is <b>Green</b> in Colour)
C		Flame Effect		'FLAME EFFECT' button cycles the unit sequentially through the 4 setting, LOW FLAME, HIGH FLAME, DEMO MODE and OFF.
		F1	Low Flame	This setting will run the flame effect at a low brightness level. (The display will show F1)
		F2	High Flame	This setting will run the flame effect at a high brightness level. (The display will show F2)
		FP	Demo Mode	This setting will slowly pulse the flame effect between low and high brightness. (The display will show FP)
		-	Off	This will turn the flame effect off. If the heater is running, the display will activate and remain active to read the set temperature and show if the product is on LOW HEAT/ HIGH HEAT/COOL BLOW.
D		Log Effect		'LOG EFFECT' button cycles the unit sequentially through the 3 setting, 'PULSING LOGS, STATIC LOGS and OFF.
		LP	Pulsing Logs	This setting will make the logs pulse. (The display will show FP)
		LS	Static Logs	This setting will make the logs stay lit. (The display will show FS)
		-	Off	This setting will turn the logs off.
E		-	On / Off	This button cycles the top light 'On' and 'Off'.
F		Heat		'HEAT' button cycles the unit sequentially through the 4 settings: LOW HEAT, HIGH HEAT, COOL BLOW and OFF. The heat setting will be indicated by an icon in the floating display see Fig.1.  When the flame effect is 'ON' the floating display will turn off after 5 seconds, however if the heater is being used independently of the flame effect. The low heat or high heat icon will appear continuously in the floating display.
			Low Heat	This setting will run the heater at 'LOW HEAT' this setting will be indicated by the 'LOW HEAT' icon and the letters 'LO' appearing in the display. (This icon is <b>Orange</b> in Colour)
			High Heat	This icon in the floating display indicates 'HIGH HEAT' this setting will be indicated by the 'HIGH HEAT' icon and the letters 'HI' appearing in the display. (This icon is <b>Red</b> in Colour)
			Cool Blow	This icon in the floating display indicates 'COOL BLOW' this setting will be indicated by the 'COOL BLOW' icon and the letters 'CB' appearing in the display. (This icon is <b>Blue</b> in Colour)
		-	Off	This switches the heater and blower 'OFF', no icon will be displayed in the floating display. Note the blower will run for 10-20 seconds after being turned off this is to ensure the product cools down safely.
G		-	Temp Down	Press multiple times to lower the heater temperature in 1°C increments. The lowest temperature that can be set 5°C. Note: Once you stop at your desired temperature this will flash 3 times, then the display will show the room temperature as detected by the product. If the set temperature is lower than the detected room temperature the heater will not activate.
H		-	Temp Up	Press multiple times to increase the heater temperature in 1°C increments. The highest temperature that can be set 37°C. Note: Once you stop at your desired temperature this will flash 3 times, then the display will show the room temperature as detected by the product. If the set temperature is lower than the detected room temperature the heater will not activate.

**User Modes:**

Mode Name /Description	Action (Actions cannot be input by remote control)
Change Celsius (° C) to Fahrenheit (° F)	Press both 3 Dot Button (  ) and 2 Dot (  ) on the unit and hold until beep is heard and display flashes. (To revert back to Celsius repeat this action)
Disable/Enable Heat Options	Hold both 1 Dot Button (  ) and Flame Button (  ), on the unit, for 2 seconds, when the heater has been disabled the display will read "--" and beep. To enable heat repeat this action.

## Remote Control - See Fig. 3

The maximum range of use is ~ 5metres.

NOTE: It takes time for the receiver to respond to the transmitter.

NOTE: The receiver for the remote control is located in the display, aim the remote control in this direction when inputting commands.

Do not press the buttons more than once within two seconds for correct operation.

## Battery Information - See Fig. 3

1. To activate the remote control remove the clear battery isolation strip at the base of the remote control, which is used to ensure your remote control reaches you fully charged.

2. To replace the remote control battery, turn over the remote control, and follow the diagram embossed on the remote control

3. Only use CR2025 or CR2032 size of batteries.

## Installing Front Glass- See Fig. 5, 6 & 7

NOTE: The outer glass is shipped separate to the firebox.

1. Remove the 6 screws holding the side trims as shown in Fig. 5. and remove the metal trims.

2. Unpack the glass, ensure it is free from dust and finger marks and place into position as shown in Fig. 6.

3. Position the metal trims removed in step 1, and secure with the 6 screws as per Fig. 7

## Fitting- See Fig. 4

IMPORTANT: If not using a Dimplex mantel, the fireplace must be installed in an enclosure with the following MINIMUM dimensions(Figure 4).

1. Select a suitable location that is not susceptible to moisture and is at least 1 meter away from drapes, furniture and high traffic.

2. Store the fireplace in a safe, dry and dust free location.

3. Clearance for air circulation beneath the fireplace is provided by two spacers. DO NOT INSTALL FIREPLACE DIRECTLY ON CARPET OR SIMILAR SURFACES WHICH MAY RESTRICT AIR CIRCULATION. If installing the fireplace in a carpeted area, place a one-piece, solid flat surface under the fireplace. Ensure that all feet rest securely on this surface!

4. In some jurisdictions this appliance is supplied without a plug this is to comply with the local regulations. In such instances this appliance must be installed by a suitably qualified installer and the means for disconnection must be incorporated in the fixed wiring in accordance with the local wiring rules.

## New Wall Construction

1. Select a suitable location that is not susceptible to moisture and is away from drapes, furniture and high traffic.

2. Place the fireplace in the desired location to see how it will look in the room.

3. Mark the desired location on the floor.

4. Use studs to frame an opening of 680 mm wide X 585 mm high X 229 mm deep.(DF2608) Use studs to frame an opening of 775 mm wide X 654mm high X 298 mm deep. (DF3020)

### Option #1

The power cord can be run from behind the trim and along the wall to an outlet near the fireplace.

### Option #2

A new outlet can be installed inside the framing construction. Plug the fireplace into a 10-13Amp/230-240 Volt outlet. If the cord does not reach you may use a 3-core type extension cord rated for a minimum of 10 Amps.

## Existing Fireplace

1. Seal all drafts and vents with a non-fibrous insulation material to prevent any chimney debris from falling onto the fireplace. Do not install into an existing fireplace that is prone to dampness.

2. Cap the top of the chimney flue to prevent rain from entering.

3. Plan your electric power supply.

4. The power cord can run along the front of the hearth to an outlet near the fireplace.

## Thermal Safety Cut-out

The built-in overheat cut-out, switches off the appliance automatically in the event of a fault! Should this occur switch off the appliance or disconnect the mains plug from the socket.

Remove any obstructions which may have caused the overheating. After a short cooling down phase, the appliance is ready for use again! If the fault should occur again, contact your local dealer!

WARNING: In order to avoid a hazard due to inadvertent resetting of the thermal cut-out, this appliance must not be supplied through an external switching device, such as a timer, or connected to a circuit that is regularly switched on and off by the utility.

## Maintenance

**⚠ WARNING: ALWAYS DISCONNECT FROM THE POWER SUPPLY BEFORE ATTEMPTING ANY MAINTENANCE.**

## Light Emitting Diode

This fire is fitted with LED (Light Emitting Diode) lamps. These LED lamps are maintenance-free and should not require replacing during the life of the product.

## Cleaning

**⚠ WARNING: ALWAYS DISCONNECT FROM THE POWER SUPPLY BEFORE CLEANING THE HEATER.**

For general cleaning use a soft clean duster – never use abrasive cleaners. The glass viewing screen should be cleaned carefully with a soft cloth.

DO NOT use proprietary glass cleaners.

To remove any accumulation of dust or fluff the soft brush attachment of a vacuum cleaner should occasionally be used to clean the outlet grille of the fan heater.

WARNING: do not operate the product without the grille and outer glass in position as this may effect the operation of the heater.

## Recycling

For electrical products sold within the European Community. At the end of the electrical products useful life it should not be disposed of with household waste. Please recycle where facilities exist. Check with your Local Authority or retailer for recycling advice in your country.



## After Sales Service

Should you require after sales service or should you need to purchase any spares, please contact the retailer from whom the appliance was purchased or contact the service number relevant to your country on the warranty card.

Please do not return a faulty product to us in the first instance as this may result in loss or damage and delay in providing you with a satisfactory service. Please retain your receipt as proof of purchase.



**Важные советы по безопасности**

При использовании электрических приборов необходимо соблюдать основные меры предосторожности для снижения риска пожара, поражения электрическим током и травм людей, в том числе:

В случае повреждения прибора проверьте его у поставщика перед установкой и эксплуатацией.

Не используйте этот прибор возле ванны, душа или бассейна.

Не используйте вне помещения.

Прибор нельзя размещать непосредственно над или под установленной розеткой или распределительной коробкой.

**⚠ ПРЕДУПРЕЖДЕНИЕ:** Прибор имеет предупреждающий символ, указывающий на то, что прибор нельзя накрывать или прибор имеет маркировку "Не накрывать прибор". Ни в коем случае не накрывайте и не заграждайте



решетку теплоотвода, расположенную над горячим отверстием на приборе. Если прибор закрыт, может произойти перегрев. Не кладите вещи или одежду на прибор, не загораживайте циркуляцию воздуха вокруг прибора, например, шторами или мебелью, это может привести к перегреву и создать риск пожара.

В случае неисправности отключите нагреватель. Также отключайте прибор, если в течение длительного времени нет необходимости его использовать. Сетевой шнур должен быть расположен справа от нагревателя, подальше от теплоотвода в нижней части прибора.

Этот прибор может использоваться детьми в возрасте не младше 8 лет и людьми с ограниченными физическими, сенсорными или умственными способностями, или не обладающими опытом и знаниями, при условии, что за ними есть надзор, либо они проинструктированы, как безопасно пользоваться прибором, и понимают сопутствующие опасности. Дети не должны играть с прибором. Дети без надзора взрослых не должны выполнять очистку и техническое обслуживание прибора.

Дети младше 3 лет, если за ними нет постоянного надзора, должны находиться подальше от прибора. Дети в возрасте от 3 до 8 лет могут включать и выключать прибор только при условии, что он помещен или установлен на предназначенное рабочее место, и за детьми есть присмотр, либо они проинструктированы, как безопасно пользоваться прибором, и понимают сопутствующие опасности. Детям в возрасте от 3 до 8 лет запрещается включать в сеть, регулировать и чистить прибор, или выполнять его техническое обслуживание. Прибор должен быть установлен так, чтобы обеспечить доступ к вилке.

Хотя этот прибор соответствует стандартам безопасности, мы не рекомендуем использовать его на коврах с высоким ворсом или на длинноворсовом покрытии. Во избежание опасности, в случае повреждения шнура питания его должен заменять изготовитель, сервисный агент или другой квалифицированный специалист.

Во избежание опасности самопроизвольного срабатывания теплового выключателя, нельзя запитывать этот прибор через внешнее переключающее устройство, например, таймер, или подключать к цепи, которая регулярно включается и выключается энергокомпанией.

Некоторые части этого изделия могут сильно нагреваться и стать причиной ожогов. Особенное внимание требуется там, где присутствуют дети и уязвимые люди.

**Техническая информация**

Номер модели: DF2608-EUE, DF2608-INT, DF2608-AU, DF3020-EUE, DF3020-INT

Теплоотдача

**230V 240V**

Номинальная теплоотдача	$P_{Nom}$	1.9	-	2.0	кВт
Минимальная теплоотдача	$P_{миним}$	0.9	-	1.0	кВт
Максимальная непрерывная теплоотдача	$P_{макс,с}$	1.9	-	2.0	кВт

Дополнительное потребление электроэнергии

In Standby mode	$eI_{SB}$	0.41	-	0.42	W
-----------------	-----------	------	---	------	---

с электронным регулятором температуры в помещении

**Общие сведения**

Аккуратно распакуйте нагреватель и сохраните упаковку для возможного использования в будущем в случае доставки или возврата обогревательного прибора поставщику.

В этом приборе эффект пламени может использоваться как с так и без отопления, поэтому наслаждаться им вы можете в любое время года. Сам по себе эффект пламени требует небольшого расхода электроэнергии.

Перед подключением нагревателя убедитесь, что напряжение в электросети соответствует указанному на нагревателе показателю.

При использовании в помещениях, где очень низкий уровень шума можно услышать звук устройства, обеспечивающего эффект пламени. Это нормально и не должно вызывать беспокойства.

**Электрическое подключение**

**⚠ ПРЕДУПРЕЖДЕНИЕ:** ДАННЫЙ ПРИБОР ДОЛЖЕН БЫТЬ ЗАЗЕМЛЕН

Этот нагреватель должен использоваться только от сети переменного тока, а напряжение, указанное на обогревателе, должно соответствовать напряжению в сети электропитания.

Перед включением прибора необходимо ознакомиться с руководством по технике безопасности и инструкциями по эксплуатации.



### Элементы управления: См. Рис. 3

Знак	Изображение	Функция	Описание	
A		-	Питание / Режим ожидания Нажмите один раз, чтобы включить прибор (ON). Нажмите второй раз, чтобы установить прибор в режим ожидания (STANDBY) (При возврате из режима ожидания «STANDBY» устройство вернется к предыдущим настройкам, если только прибор не отключить от сети электропитания - в этом случае будут восстановлены заводские настройки)	
B		Таймер сна	Нажмите несколько раз, чтобы изменить значение «Таймера сна» (SLEEP TIMER), в пределах от 0,5 часов до 8,0 часов до выключения с шагом 0,5 часов. На дисплее «Таймер сна» (SLEEP TIMER) отобразится оставшееся время. (Этот знак <b>зеленого</b> цвета)	
C		Эффект пламени	Кнопка «Эффект пламени» (FLAME EFFECT) позволяет последовательно переключаться между 4 режимами - СЛАБОЕ ПЛАМЯ (LOW FLAME), СИЛЬНОЕ ПЛАМЯ (HIGH FLAME), ДЕМО-РЕЖИМ (DEMO MODE) и ВЫКЛЮЧЕНИЕ (OFF).	
		F1	Слабое пламя	В этом режиме эффект пламени будет иметь низкий уровень яркости. (На дисплее появится F1)
		F2	Сильное пламя	В этом режиме эффект пламени будет иметь высокий уровень яркости. (На дисплее появится F2)
		FP	Демо-режим	В этом режиме слабые и сильные уровни яркости для эффекта пламени будут постепенно чередоваться. (На дисплее появится FP)
		-	Выключение	В этом режиме эффект пламени выключится. При включении нагревателя загорается дисплей, который будет работать на протяжении всего времени работы нагревателя и на котором будет отражаться температура и режим работы - СЛАБОЕ ПЛАМЯ/СИЛЬНОЕ ПЛАМЯ/ОХЛАЖДЕНИЕ
D		Деревянные поленья	Кнопка «Деревянный поленья» (LOG EFFECT) позволяет последовательно переключаться между 3 режимами: "ПУЛЬСИРУЮЩИЕ ПОЛЕНЬЯ", "СТАТИЧЕСКИЕ ПОЛЕНЬЯ" и "ВЫКЛЮЧЕНИЕ"	
		LP	Пульсирующие поленья	В этом режиме поленья будут пульсировать. (На дисплее появится FP)
		LS	Статические поленья	В этом режиме деревянные поленья включатся. (На дисплее появится FS)
		-	Выключение	В этом режиме деревянные поленья выключатся.
E		-	Вкл./Выкл. Эта кнопка позволяет включать и выключать верхний свет.	
F		Степень нагрева	Кнопка «СТЕПЕНЬ НАГРЕВА» (HEAT) позволяет постепенно переключаться между 4 режимами: НИЗКАЯ ТЕМПЕРАТУРА (LOW HEAT), ВЫСОКАЯ ТЕМПЕРАТУРА (HIGH HEAT), ОХЛАЖДЕНИЕ (COOL BLOW) и ВЫКЛЮЧЕНИЕ (OFF). Режим нагрева будет отражаться на свободном дисплее, см. Рис.1.  Когда эффект пламени включается, свободный дисплей выключается через 5 секунд, хотя нагреватель используется независимо от эффекта пламени. Обозначение низкой или высокой температуры постоянно отражается на свободном дисплее.	
			Низкая температура	Нагреватель будет работать в режиме «Низкая температура». Режим обозначается знаком «НИЗКАЯ ТЕМПЕРАТУРА» (LOW HEAT) и буквами «LO» на дисплее. (Этот знак <b>оранжевого</b> цвета)
			Высокая температура	На свободном дисплее обозначается как «Высокая температура» (HIGH HEAT). Режим имеет знак «ВЫСОКАЯ ТЕМПЕРАТУРА» (HIGH HEAT) и обозначается на дисплее буквами «HI». (Этот знак <b>красного</b> цвета)
			Охлаждение	Этот знак на свободном дисплее указывает на режим «Охлаждение» и обозначается знаком «ОХЛАЖДЕНИЕ» (COOL BLOW) и буквами «CB» на дисплее. (Этот знак <b>голубого</b> цвета)
		-	Выключение	Нагреватель и вентилятор выключаются, это никак не отображается на свободном дисплее. Обратите внимание, для обеспечения безопасности процесса охлаждения прибора, вентилятор будет еще работать в течение 10-20 секунд после его выключения.
G		-	Понизить температуру Нажмите несколько раз, чтобы понизить температуру нагревателя на 1 ° Цельсия. Самая низкая температура, которую можно установить, это 5 ° Цельсия. Обратите внимание: Как только вы остановитесь на нужной температуре, это значение промигает 3 раза и затем на дисплее отобразится определенная прибором температура в помещении. Если установленная температура ниже определенной температуры в помещении, нагреватель не включится.	
H		-	Повысить температуру Нажмите несколько раз, чтобы повысить температуру нагревателя на 1 ° Цельсия. Самая высокая температура, которую можно установить, это 37 ° Цельсия. Обратите внимание: Как только вы остановитесь на нужной температуре, это значение промигает 3 раза и затем на дисплее отобразится определенная прибором температура в помещении. Если установленная температура ниже определенной температуры в помещении, нагреватель не включится.	

### Пользовательские режимы:

Название режима / Описание	Действия (Действия нельзя выполнить с помощью пульта дистанционного управления)
Изменение шкалы Цельсия (°C) на шкалу Фаренгейта (°F)	Нажмите кнопку 3 Точки (  ) и 2 Точки (  ) на приборе и удерживайте их до тех пор, пока не раздастся звуковой сигнал и дисплей не начнет мигать. (Чтобы вернуться к шкале Цельсия, повторите это действие)
Отключить / Включить функции нагрева	Удерживайте одновременно кнопку 1 Точка (  ) и кнопку Эффект пламени (  ) на приборе в течение 2 секунд и когда нагреватель выключится, на дисплее отобразится «-» и прозвучит звуковой сигнал. Чтобы включить обогрев повторите эти действия.

## Дистанционное управление - См. Рис. 3

Максимальный диапазон использования ~ 5 метров.

Прибору необходимо время, чтобы отреагировать на сигнал пульта дистанционного управления.

Ресивер пульта дистанционного управления расположен на дисплее, при указании команд направьте пульт дистанционного управления в этом направлении.

Для правильной работы не нажимайте кнопку чаще одного раза в течение двух секунд.

## Информация о батарее - См. Рис. 3

1. Для успешной работы пульта дистанционного управления снимите прозрачную изолирующую ленту батареи, расположенную внизу пульта дистанционного управления, которая используется для полной зарядки вашего пульта дистанционного управления.

2. Чтобы заменить батарею пульта дистанционного управления, переверните пульт дистанционного управления и следуйте схеме, указанной на пульте дистанционного управления

3. Используйте только батареи CR2025 или CR2032.

## Установка переднего стекла- См. Рис. 5, 6 и 7

ПРИМЕЧАНИЕ. Внешнее стекло поставляется отдельно к топке.

1. Снимите 6 винтов, удерживающих боковые панели, как показано на рисунке 5. и снимите металлические планки.

2. Распакуйте стекло, убедитесь, что он свободен от пыли и следов пальцев и вставлен в положение, как показано на рисунке 6.

3. Установите металлические накладки, снятые на шаге 1, и закрепите 6 винтами, как показано на рисунке 7

## Гарнитура- См. Рис. 4

ВАЖНО: Если камин Dimplex не используется, его необходимо установить в шкафу с указанными МИНИМАЛЬНЫМИ размерами (рисунок 4).

1. Место установки следует выбирать так, чтобы оно было защищено от влаги и находилось вдалеке от драпировок, мебели и проходов.

2. До установки камина храните его в безопасном, сухом и защищенном от пыли месте.

3. Благодаря двум подкладкам, расположенным внизу камину, обеспечивается свободное пространство для циркуляции воздуха. НЕ УСТАНАВЛИВАЙТЕ КАМИН НЕПОСРЕДСТВЕННО НА КОВРЕ ИЛИ ПОДОБНОМ ЕМУ ПОКРЫТИИ ВО ИЗБЕЖАНИЕ СОЗДАНИЯ ПРЕПЯТСТВИЙ ДЛЯ ЦИРКУЛЯЦИИ ВОЗДУХА. Если вы устанавливаете камин на ковровом покрытии, подложите под камин ровную, твердую и цельную подставку. Убедитесь в том, что все ножки камина надежно установлены на этой подставке.

4. С целью соблюдения всех локальных законодательных требований в некоторых странах оборудование поставляется без сетевого штекера В таких случаях оборудование должно быть установлено соответствующим квалифицированным специалистом, и электрическое подключение должно быть выполнено с использованием разъединительного устройства в соответствии с действующими местными правилами и нормами электробезопасности.

## Новая конструкция

1. Место установки следует выбирать так, чтобы оно было защищено от влаги и находилось вдалеке от драпировок, мебели и проходов.

2. Поместите камин в нужное вам место, чтобы посмотреть, как он будет выглядеть в комнате.

3. Пометьте указанное место на полу.

4. Используйте фиксаторы, чтобы сделать отверстия шириной 680 мм X 585 мм высотой X 229 мм (DF2608), Используйте фиксаторы, чтобы сделать отверстия шириной 775 мм X 654 мм высотой X 298 мм (DF3020).

### Вариант №1

Сетевой шнур можно проложить за панелью и вдоль стены к розетке рядом с камином.

### Вариант №2

Можно установить новую розетку внутри каркасной конструкции. Подключите камин к розетке в 10-13 Ампер / 230-240 Вольт. Если шнур имеет недостаточную длину, вы можете использовать 3-х сторонний удлинитель, рассчитанный минимум на 10 ампер.

## Используемый камин

1. Закройте все вентиляционные и сквозные отверстия неволокнистым изоляционным материалом, чтобы предотвратить падение продуктов сгорания из камина. Не устанавливайте в используемый камин любые предметы, повышающие сырость воздуха.

2. Закройте верхнюю часть дымохода во избежание попадания дождя.

3. Составляйте ваш график снабжения электроэнергией.

4. Сетевой шнур может проходить вдоль передней части камина к розетке рядом с ним.

## Выключатель термозащиты

Встроенное устройство отключения при перегреве автоматически выключает прибор в случае неисправности! Если это произойдет, выключите прибор или выньте шнур из розетки.

Уберите все предметы, которые могут стать причиной перегрева прибора. После короткого периода охлаждения прибор снова можно использовать!

Если неисправность возникла снова, обратитесь к местному дилеру!

Во избежание опасности самопроизвольного срабатывания теплового выключателя, нельзя запитывать этот прибор через внешнее переключающее устройство, например, таймер, или подключать к цепи, которая регулярно включается и выключается энергокомпанией.

## Техническое обслуживание

**⚠ ПРЕДУПРЕЖДЕНИЕ: ВСЕГДА ОТКЛЮЧАЙТЕ ПРИБОР ОТ ЭЛЕКТРОСЕТИ ПЕРЕД ТЕМ, КАК НАЧАТЬ ЕГО РЕМОНТ.**

## Светодиодный диод

Камин оснащен LED (светодиодными) лампами. Эти светодиодные лампы не требуют технического обслуживания и не нуждаются в замене на протяжении всего срока эксплуатации прибора.

## Очистка

**⚠ ПРЕДУПРЕЖДЕНИЕ: ВСЕГДА ОТКЛЮЧАЙТЕСЬ ОТ ЭЛЕКТРОПИТАНИЯ ПЕРЕД ОЧИЩЕНИЕМ НАГРЕВАТЕЛЯ.**

Для общей очистки используйте мягкую чистую тряпку. Не используйте абразивные средства. Стекло смотрового экрана следует тщательно очистить мягкой салфеткой.

НЕ ИСПОЛЬЗУЙТЕ специальные средства для мытья стекол.

Для удаления скоплений пыли или пуха, иногда необходимо использовать мягкую щетку для пылесоса, чтобы очистить вытяжную решетку вентилятора нагревателя.

Не используйте прибор без решетки и внешнего стекла - это может повлиять на работу нагревателя.

## Вторичная переработка

Для электрических приборов, продаваемых в Европейском Сообществе. По окончании срока службы электрического прибора его не следует утилизировать вместе с бытовыми отходами. Пользуйтесь услугами предприятий по вторичной переработке, при наличии. Информацию о возможностях вторичной переработки в вашей стране можно получить у местных властей или оператора розничной торговли.



## Послепродажное обслуживание

Если вам требуется послепродажное обслуживание или вам нужны запасные детали, обратитесь к розничному продавцу, у которого вы приобрели устройство. Либо позвоните в службу поддержки по своей стране: номер указан на гарантийном талоне. Не возвращайте нам неисправный продукт сразу же, в таком случае может произойти утеря или повреждения либо мы не сможем сразу предоставить необходимое обслуживание.

**Важлива порада з техніки безпеки**

При використанні електроприладів необхідно дотримуватися усіх заходів безпеки з метою зниження ризику виникнення пожежі, ураження електричним струмом та травм, включаючи наступні.

Якщо прилад пошкоджено, перед установкою і експлуатацією обов'язково зверніться до постачальника.

Не використовуйте прилад у безпосередній близькості від ванни, душу або плавального басейну.

Не використовуйте прилад за межами приміщення.

Цей прилад не повинен бути розташований безпосередньо над або під штепсельною розеткою або сполучною коробкою.

**⚠ УВАГА!** На приладі є символ попередження, який вказує на те, що його не можна накривати. Не накривайте символ. Не накривайте та не блокуйте жодним чином решітку вихідного отвору, розташовану над віконцем полум'я приладу.

Випадкове накривання може призвести до перегрівання приладу.

Не кладіть жодні предмети або одяг на прилад та не перешкоджайте циркуляції повітря навколо приладу, наприклад через штори або меблі, оскільки це може призвести до перегріву і ризику займання.

У разі несправності від'єднайте нагрівач від електромережі. Від'єднайте прилад від електромережі у випадку, якщо він не використовувався протягом тривалого часу. Кабель живлення має бути розташований з правої сторони нагрівача подалі від випускного отвору для тепла на нижньому боці приладу.

Цей прилад може використовуватись дітьми старше 8 років та особами із зниженими фізичними, сенсорними або психічними можливостями чи недостатнім досвідом і знаннями лише під наглядом або після проведення інструктажу стосовно безпечного користування приладом та розуміння пов'язаних з цим ризиків. Діти не повинні гратись із приладом. Не можна доручати чищення або технічне обслуговування приладу дітям без відповідного нагляду.

Не слід залишати дітей до трьох років без постійного нагляду поблизу приладу. Діти віком від 3 до 8 років можуть лише вмикати або вимикати прилад за умови його розміщення або встановлення у заданому звичайному робочому положенні, і знаходження під наглядом дорослих або після отримання інструкцій щодо безпечного користування приладом за умови, що вони розуміють можливі ризики. Дітям віком від 3 до 8 років заборонено вмикати в розетку, здійснювати регулювання, очищення або технічне обслуговування приладу.

Прилад має бути встановлений таким чином, щоб розетка була доступною.

Хоча даний прилад відповідає нормам безпеки, не рекомендується встановлювати його на килими з високим ворсом або довгою бахромою.

У разі пошкодження кабелю живлення зверніться для його заміни до виробника, сервісного центру чи іншої кваліфікованої особи. Робити це самостійно небезпечно.

**ОБЕРЕЖНО!** Для уникнення небезпеки через випадкове скидання теплового запобіжника прилад не повинен бути підключений через зовнішній перемикач, наприклад таймер, або підключений до мережі, що регулярно вмикається та вимикається службовим пристроєм.

**ОБЕРЕЖНО!** Деякі частини даного приладу можуть сильно нагріватися і викликати опіки. Особливо обережними слід бути у випадку присутності дітей та вразливих осіб.

**Технічна інформація**

Номер моделі: DF2608-EUE, DF2608-INT, DF2608-AU, DF3020-EUE, DF3020-INT

Теплова потужність **230 В** **240 В**

Номінальна теплова потужність	$P_{Nom}$	1.9	-	2.0	кВт
Мінімальна теплова потужність	$P_{min}$	0.9	-	1.0	кВт
Максимальна постійна теплова потужність	$P_{max,c}$	1.9	-	2.0	кВт

Додаткове споживання електроенергії 0.41 - 0.42 W

з електронним контролем температури у приміщенні

**Загальна інформація**

Обережно розпакуйте нагрівач і збережіть пакування для можливого використання у майбутньому у випадку переїзду або повернення каміна постачальнику.

Камін має ефект полум'я, який може використовуватися з нагріванням або без нього з метою створення затишку у будь-яку пору року. Використання ефекту полум'я окремо споживає незначну кількість електроенергії.

Перед підключенням нагрівача переконайтеся, що напруга у мережі відповідає значенням, зазначеним на нагрівачі.

**Зверніть увагу:** Якщо у приміщенні дуже тихо, можна почути звук, пов'язаний з функціонуванням ефекту полум'я. Це нормальне явище, яке не повинно бути причиною для занепокоєння.

**Під'єднання до електромережі**

**⚠ УВАГА!** ЦЕЙ ПРИЛАД МАЄ БУТИ ЗАЗЕМЛЕНИЙ

Нагрівач можна використовувати лише з джерелом змінного струму за умови відповідності напруги живлення напрузі, зазначеній на нагрівачі.

Перед увімкненням просимо вас ознайомитися із вказівками з техніки безпеки та інструкцією з експлуатації.

## Елементи керування: Див рис. 3

	Символ	Дисплей	Функція	Опис
A		-	Живлення/ Очікування	Натисніть один раз, щоб увімкнути прилад. Натисніть вдруге, щоб перевести прилад в режим очікування. (Якщо прилад не було від'єднано від мережі живлення, то при поверненні з режиму очікування («STANDBY») прилад повернеться до попередніх налаштувань. У іншому випадку налаштування буде скинуто до заводських).
B			Таймер сну	Перед вимкненням натисніть декілька разів для зміни таймеру сну з кроком у 0,5 год з 0,5 год до 8,0 год. Відображається час, що залишився відповідно до «таймеру сну». (Цей символ <b>зеленого</b> кольору)
C		Ефект полум'я		Кнопка «FLAME EFFECT» (ЕФЕКТ ПОЛУМ'Я) дозволяє встановити прилад послідовно в одне з 4 налаштувань: НИЗЬКИЙ РІВЕНЬ ПОЛУМ'Я, ВИСОКИЙ РІВЕНЬ ПОЛУМ'Я, ДЕМОНСТРАЦІЙНИЙ РЕЖИМ ТА ВИМКНЕНО.
		F1	Низький рівень полум'я	Це налаштування забезпечить низький рівень яскравості полум'я. (На дисплеї відобразиться F1)
		F2	Високий рівень полум'я	Це налаштування забезпечить високий рівень яскравості полум'я. (На дисплеї відобразиться F2)
		FP	Демонстраційний режим	Це налаштування забезпечить повільне чергування низького і високого рівня яскравості ефекту полум'я. (На дисплеї відобразиться FP)
		-	Вимкнено	Вимкнення ефекту полум'я. Якщо нагрівач працює, дисплей активується і залишається увімкненим, демонструючи задану температуру та режим роботи: СЛАБКЕ НАГРІВАННЯ/СИЛЬНЕ НАГРІВАННЯ/ХОЛОДНИЙ ОБДУВ.
D		Ефект горіння дров		Кнопка «LOG EFFECT» (ЕФЕКТ ГОРІННЯ ДРОВ) забезпечує послідовне встановлення 3 налаштувань: «ПУЛЬСУЮЧЕ ГОРІННЯ ДРОВ», «СТАТИЧНЕ ГОРІННЯ ДРОВ» і «ВИМКНЕНО».
		LP	Пульсуюче горіння дров	Це налаштування забезпечує пульсацію дров. (На дисплеї відобразиться FP)
		LS	Статичне горіння дров	Це налаштування забезпечує статичну підсвітку дров. (На дисплеї відобразиться FS)
		-	Вимкнено	Це налаштування вимикає ефект горіння дров.
E		-	Увімк./Вимк.	Ця кнопка дозволяє увімкнути та вимкнути верхнє освітлення.
F		Нагрівання		Кнопка «HEAT» (НАГРІВАННЯ) забезпечує послідовне встановлення 4 налаштувань: СЛАБКЕ НАГРІВАННЯ, СИЛЬНЕ НАГРІВАННЯ, ХОЛОДНИЙ ОБДУВ і ВИМКНЕНО. Налаштування нагрівання позначаються символом на плаваючому дисплеї (див. рис. 1). Якщо ефект полум'я увімкнено, плаваючий дисплей вимкнеться через 5 секунд, однак, якщо нагрівач використовується незалежно від ефекту полум'я. Значок слабого або сильного нагрівання з'явиться на плаваючому дисплеї.
			Слабке нагрівання	Це налаштування забезпечить роботу нагрівача в режимі слабого нагрівання. На дисплеї з'явиться символ «СЛАБКЕ НАГРІВАННЯ» і літери «LO». (Цей символ <b>оранжевого</b> кольору)
			Сильне нагрівання	Цей символ на плаваючому дисплеї позначає «СИЛЬНЕ НАГРІВАННЯ». Дане налаштування позначається символом «СИЛЬНЕ НАГРІВАННЯ», а на дисплеї з'являються літери «HI». (Цей символ <b>червоного</b> кольору)
			Холодний обдув	Цей символ на плаваючому дисплеї позначає «ХОЛОДНИЙ ОБДУВ». Дане налаштування позначається символом «ХОЛОДНИЙ ОБДУВ», а на дисплеї з'являються літери «CB». (Цей символ <b>синього</b> кольору)
		-	Вимкнено	Це налаштування вимикає нагрівання і обдув. На плаваючому дисплеї не відображається жодного символу. Зверніть увагу, що вентилятор працюватиме впродовж 10-20 секунд після вимкнення для забезпечення безпечного охолодження приладу.
G		-	Зниження температури	Натисніть декілька разів для зниження температури нагрівання з кроком в 1 °C. Найнижча температура, яку можна встановити, становить 5 °C. Примітка: Після зупинки на бажаній температурі вона мигтіниме 3 рази, після чого на дисплеї відобразиться температура у приміщенні, визначена приладом. Якщо встановлена температура нижча за визначену температуру в приміщенні нагрівач не вмикатиметься.
H		-	Збільшення температури	Натисніть декілька разів для підвищення температури нагрівання з кроком в 1 °C. Найвища температура, яку можна встановити, становить 37 °C. Примітка: Після зупинки на бажаній температурі вона мигтіниме 3 рази, після чого на дисплеї відобразиться температура у приміщенні, визначена приладом. Якщо встановлена температура нижча за визначену температуру в приміщенні нагрівач не вмикатиметься.

## Режими користувача:

Назва режиму/Опис	Дії (Дії не можна вводити за допомогою пульта дистанційного управління)
Зміна градусів Цельсія (° C) на градуси Фаренгейта (° F)	Натисніть одночасно кнопку з 3 крапками (  ) і кнопку з 2 крапками (  ) на приладі та утримуйте, доки не пролунає звуковий сигнал і дисплей почне блимати. (Для повернення до градусів Цельсія повторіть цю дію)
Вимкнення/увімкнення опцій нагрівання	Утримуйте одночасно кнопку з 1 крапкою (  ) і кнопку полум'я (  ) на приладі протягом 2 секунд. При вимкненні нагрівача на дисплеї відобразиться «←» та пролунає звуковий сигнал. Для увімкнення нагрівання повторіть цю дію.



## Дистанційне управління - Див рис. 3

Максимальний діапазон використання становить ~5 метрів.

**ПРИМІТКА.** Приймач реагує на сигнали передавача через певний час.

**ПРИМІТКА.** Приймач сигналів дистанційного управління знаходиться на дисплеї, при введенні команд намагайтеся направляти пульт дистанційного управління у цьому напрямку. Для забезпечення належної роботи не натискайте кнопки більше одного разу протягом двох секунд.

## Інформація щодо батарейки - Див рис. 3

1. Для активації пульта дистанційного управління зніміть прозору смужку ізоляції батарейки з нижньої сторони пульта дистанційного управління, яка використовується для забезпечення постачання вам повністю зарядженої батарейки пульта дистанційного управління.

2. Для заміни батарейки пульта дистанційного управління переверніть пульт дистанційного управління і встановіть батарейку відповідно до схеми, нанесеної на пульт дистанційного управління.

3. Використовуйте лише батарейки розміру CR2025 або CR2032.

## Встановлення переднього скла- Див рис. 5, 6 і 7

**ПРИМІТКА.** Зовнішнє скло поставляється окремо в топку.

1. Зніміть 6 гвинтів, що тримають бічні накладки, як показано на малюнку 5., і зніміть металеві накладки.

2. Розпакуйте скло, забезпечте його вільним від пилу та знаків пальця та помістіть його у положення, як показано на малюнку 6.

3. Розташуйте металеві кріплення, витягнуті на кроці 1, і зафіксуйте 6 гвинтами, як показано на мал.7.

## Встановлення- Див рис. 4

**ВАЖЛИВО!** Якщо не використовується портал Dimplex, камін слід встановлювати в нішу з наступними МІНІМАЛЬНИМИ розмірами (рис. 4).

1. Виберіть підходяще місце, яке не піддається впливу вологи і, знаходиться щонайменше на відстані 1 метр від штор, меблів і активного руху людей.

2. Помістіть камін у безпечне, сухе і вільне від пилу місце.

3. Зазор для циркуляції повітря під камином забезпечується двома прокладками. **НЕ ВСТАНОВЛЮЙТЕ КАМІН БЕЗПОСЕРЕДНЬО НА КИЛИМОВІ АБО ПОДІБНІ ПОВЕРХНІ, ЯКІ МОЖУТЬ ОБМЕЖУВАТИ ЦИРКУЛЯЦІЮ ПОВІТРЯ.** Якщо камін встановлюється у зоні з килимовим покриттям, помістіть під камін суцільну щільну підложку. Забезпечте, аби всі ніжки надійно спиралися на цю підложку.

4. У деяких країнах відповідно до місцевого законодавства прилад постачається без електричної вилки. У таких випадках прилад має встановлювати кваліфікований спеціаліст, а засоби для роз'єднання мають бути вбудовані у стаціонарну електропроводку відповідно до правил електромонтажу.

## Нові стіни

1. Виберіть підходяще місце, яке не піддається впливу вологи і, знаходиться в стороні від штор, меблів і активного руху людей.

2. Помістіть камін у вибраному місці, аби побачити, як він буде виглядати у приміщенні.

3. Відмітьте на підлозі бажане місце розташування.

4. Використовуючи стінові стійки, сформуєте нішу шириною 680 мм, висотою 585 мм и глибиною 229 мм (DF2608), Використовуючи стінові стійки, сформуєте нішу шириною 775 мм, висотою 654 мм и глибиною 298 мм (DF3020).

### Варіант № 1

Шнур живлення може бути прокладений за рамкою та вздовж стіни до розетки, найближчої до каміну.

### Варіант № 2

Може бути встановлена нова розетка всередині ніші. Підключіть камін в розетку мережі 10-13А/230-240 В. Якщо довжина шнура недостатня, можна використовувати трижильний подовжувальний кабель, розрахований не менше, ніж на 10 А.

## Існуючий камін

1. Ущільніть всі витяжні і вентиляційні отвори неволоконним ізоляційним матеріалом для попередження потрапляння будь-яких пічних обломків витяжної труби у камін. Не встановлюйте прилад в існуючі каміни, схильні до утворення вогкості.

2. Закрийте верхню частину витяжної труби для попередження потрапляння дощу в камін.

3. Забезпечте підведення електричного живлення до каміну.

4. Мережевий шнур може бути прокладений вздовж передньої частини каміну до розетки, найближчої до каміну.

## Запобіжне вимикання

Вбудований пристрій захисту від перегріву автоматично вимикає прилад у випадку збою в роботі! У цьому випадку необхідно вимкнути прилад або вийняти вилку з розетки.

Усуньте всі перешкоди, які могли викликати перегрів. Через короткий період охолодження прилад знову готовий до використання! Якщо несправність виникне знову, зверніться до місцевого дилера!

**УВАГА!** Для уникнення небезпеки через випадкове скидання теплового запобіжника прилад не повинен бути підключеним через зовнішній перемикач, наприклад таймер, або підключений до мережі, що регулярно вмикається та вимикається службовим пристроєм.

## Технічне обслуговування

**⚠ УВАГА! ПЕРШ НІЖ ПОЧИНАТИ БУДЬ-ЯКІ РОБОТИ З ТЕХНІЧНОГО ОБСЛУГОВУВАННЯ ВІД'ЄДНАЙТЕ ПРИЛАД ВІД ЕЛЕКТРОМЕРЕЖІ.**

## Світловипромінюючий діод

Камін оснащено світлодіодними лампами. Ці світлодіодні лампи не вимагають технічного обслуговування і не потребують заміни протягом усього терміну служби приладу.

## Очищення

**⚠ УВАГА! ПЕРЕД ПОЧАТКОМ ОЧИЩЕННЯ ПРИЛАДУ ВІД'ЄДНАЙТЕ ПРИЛАД ВІД ЕЛЕКТРОМЕРЕЖІ.**

Для загального очищення використовуйте м'яку чисту ганчірку — ніколи не використовуйте абразивні засоби для чищення. Скло слід обережно протерти м'якою тканиною.

НЕ використовуйте засоби для очищення скла.

Для видалення накопиченого пилу або ворсу та очищення зовнішньої решітки вентилятора нагрівача слід періодично використовувати м'яку щітку пилососа.

УВАГА! Не використовуйте прилад без встановленої решітки і зовнішнього скла, оскільки це може негативно вплинути на роботу нагрівача.

## Утилізація

Для електричних приладів, що продаються в межах Європейського співтовариства. Після закінчення терміну служби не можна викидати електричні прилади разом з побутовим сміттям. Просимо здавати прилади на утилізацію. Проконсультуйтеся з приводу утилізації у вашій місцевій адміністрації або у роздрібного торговця.



## Післяпродажне обслуговування

З питань сервісного обслуговування або придбання запасних частин зверніться до роздрібного торговця, у якого було придбано прилад, або у сервісний центр вашої країни, зазначений на гарантійній картці.

Просимо не повертати несправний прилад одразу нам, оскільки це може призвести до втрати або пошкодження та затримки у наданні вам належного рівня обслуговування. Будь ласка, збережіть квитанцію в якості підтвердження покупки.



### Avis de sécurité important

Lors de l'utilisation d'appareils électriques, des précautions de base doivent être prises afin de réduire le risque d'incendie, d'électrocution et de blessure. Ces recommandations incluent :

Si l'appareil est endommagé, consulter immédiatement le fournisseur avant installation et utilisation.

Ne pas utiliser cet appareil à proximité immédiate d'une baignoire, douche ou piscine.

Ne pas utiliser à l'extérieur.

Cet appareil ne doit pas être placé directement au-dessus ou en-dessous d'une prise de courant fixe ou d'un boîtier de raccordement.

**⚠ AVERTISSEMENT :** L'appareil arbore le symbole d'avertissement qui indique qu'il ne doit pas être couvert, ou porte une étiquette « Do not cover » (Ne pas couvrir). Ne pas couvrir ni obstruer en aucune façon la grille de sortie de chaleur située au-dessus de la vitre de l'appareil. Une couverture accidentelle de l'appareil entraînera une surchauffe. Ne pas placer d'objets ou de vêtements sur l'appareil, ni gêner la circulation de l'air autour de l'appareil, par exemple avec des rideaux ou des meubles. Cela pourrait provoquer une surchauffe, voire un risque d'incendie.

En cas de panne, débrancher l'appareil de chauffage. Débrancher l'appareil lorsque celui-ci n'est pas utilisé pendant une période prolongée. Le cordon d'alimentation doit être placé du côté droit de l'appareil de chauffage, à distance de la sortie de chaleur située sous celui-ci.

Cet appareil peut être utilisé par les enfants d'au moins 8 ans et par les personnes ayant des capacités physiques, sensorielles ou mentales réduites ou faisant preuve de manque d'expérience et de connaissances uniquement si elles font l'objet d'une supervision ou ont reçu des instructions concernant l'usage de l'appareil de manière sûre, et si elles comprennent les dangers que cela implique. Les enfants ne doivent pas jouer avec l'appareil. Son nettoyage et son entretien ne doivent pas être effectués par des enfants laissés sans surveillance.

Les enfants de moins de 3 ans doivent être tenus éloignés, à moins d'être continuellement supervisés. Les enfants âgés de 3 ans et plus et de moins de 8 ans peuvent uniquement allumer/éteindre l'appareil, pourvu qu'il soit placé ou installé dans sa position d'utilisation normale, qu'ils bénéficient d'une surveillance ou d'instructions quant à l'utilisation de l'appareil de façon sécurisée et qu'ils comprennent les risques encourus. Les enfants de 3 à 8 ans ne doivent pas brancher, régler ou nettoyer l'appareil, ni effectuer aucune des opérations de nettoyage et d'entretien réalisables par l'utilisateur.

L'appareil doit être placé de manière à pouvoir accéder à la prise.

Bien que l'appareil soit conforme aux normes de sécurité, nous ne recommandons pas de l'utiliser sur des moquettes épaisses ou des tapis à poils longs.

Si le cordon d'alimentation est endommagé, le faire remplacer par le fabricant, un réparateur ou toute personne suffisamment qualifiée afin d'écartier tout risque.

**AVERTISSEMENT :** Afin d'éviter tout danger lié à une réinitialisation accidentelle du coupe-circuit thermique, cet appareil ne doit pas être alimenté par un dispositif de commutation externe (un minuteur par exemple) ou raccordé à un circuit qui est allumé et éteint régulièrement par la compagnie d'électricité.

**ATTENTION :** certaines pièces de ce produit peuvent chauffer à haute température et causer des brûlures. Il faut être particulièrement vigilant lorsque des enfants et personnes vulnérables sont présentes.

### Fiche technique

Numéro du modèle : DF2608-EUE, DF2608-INT, DF2608-AU, DF3020-EUE, DF3020-INT

Puissance calorifique **230V 240V**

Puissance calorifique nominale	$P_{Nom}$	1.9	-	2.0	kW
--------------------------------	-----------	-----	---	-----	----

Puissance calorifique minimale	$P_{min}$	0.9	-	1.0	kW
--------------------------------	-----------	-----	---	-----	----

Puissance calorifique continue maximale	$P_{max,c}$	1.9	-	2.0	kW
---	-------------	-----	---	-----	----

Consommation électrique auxiliaire

En mode veille	$eI_{SB}$	0.41	-	0.42	W
----------------	-----------	------	---	------	---

avec la commande électronique de température ambiante

### Généralités

Déballer le radiateur soigneusement et conserver l'emballage pour un éventuel usage futur, en cas de déménagement ou de renvoi du foyer à votre fournisseur.

Le foyer est composé d'un effet de flamme, qui peut être utilisé avec ou sans chauffage, de sorte que la sensation apaisante peut être appréciée tout au long de l'année. L'utilisation sans chauffage ne requiert qu'une faible consommation d'électricité.

Avant de brancher l'appareil de chauffage, vérifiez que la tension d'alimentation du secteur est identique à celle indiquée sur l'appareil.

**Remarque :** l'effet flamme s'accompagne d'un son audible dans un environnement silencieux. Ceci est normal et ne doit pas susciter d'inquiétudes.

### Branchement électrique

**⚠ AVERTISSEMENT :** CET APPAREIL DOIT ÊTRE MIS À LA TERRE

Ce radiateur doit être utilisé sur une alimentation CA uniquement, et la tension indiquée sur l'appareil de chauffage doit correspondre à la tension d'alimentation.

Lire attentivement les consignes de sécurité et les instructions d'utilisation avant de mettre l'appareil en marche.

## Commandes : Voir fig. 3

	Icône	Affichage	Fonction	Description
A		-	Marche / Veille	Appuyer une fois pour mettre le produit sous tension. Appuyer une seconde fois pour mettre le produit en veille (Après sortie de mise en veille, les derniers réglages seront mémorisés, à moins que le produit n'ait été débranché, auquel cas les réglages usines seront appliqués)
B			Minuterie de mise en veille	Appuyer plusieurs fois pour modifier la minuterie de mise en veille par incréments de 30 minutes (de 30 minutes à 8 heures avant mise hors tension). Le temps restant avant mise hors tension s'affiche. (Cette icône est <b>verte</b> )
C		Effet flamme		Le bouton d'effet flamme commande 4 réglages : FLAMME FAIBLE, FLAMME INTENSE, MODE DÉMO et ARRÊT.
		F1	Flamme faible	Ce réglage actionne l'effet flamme avec une faible intensité lumineuse. (F1 apparaît à l'écran)
		F2	Flamme intense	Ce réglage actionne l'effet flamme avec une intensité lumineuse élevée. (F2 apparaît à l'écran)
		FP	Mode démo	Ce réglage fait lentement alterner l'effet flamme entre une intensité lumineuse faible et élevée. (FP apparaît à l'écran)
		-	Arrêt	Cela arrête l'effet flamme. Si l'appareil de chauffage fonctionne, l'écran s'allume et reste allumé pour afficher la température réglée et indiquer si le produit est paramétré sur une chaleur modérée, une chaleur intense ou la diffusion d'air frais (LOW HEAT/ HIGH HEAT/COOL BLOW).
D		Effet bûche		Le bouton d'effet bûche commande 3 réglages : BÛCHES PULSÉES, BÛCHES STATIQUES et ARRÊT.
		LP	Bûches pulsées	Ce réglage fera pulser les bûches. (FP apparaît à l'écran)
		LS	Bûches statiques	Ce réglage laissera les bûches allumées. (FS apparaît à l'écran)
		-	Arrêt	Ce réglage éteindra les bûches.
E		-	Marche/Arrêt	Ce bouton allume ou éteint l'éclairage supérieur.
F		Chaleur		Le bouton CHALEUR (HEAT) commande les 4 réglages suivants : CHALEUR MODÉRÉE, CHALEUR INTENSE, AIR FRAIS et ARRÊT. Le réglage de chaleur sera indiqué par une icône sur le Floating Display. Voir Fig.1.  Quand l'effet flamme est activé, le Floating Display s'éteindra au bout de 5 secondes. Cependant, si l'appareil de chauffage est utilisé indépendamment de l'effet flamme, l'icône de chaleur modérée ou intense apparaîtra en continu sur le Floating Display.
			Chaleur modérée	Avec ce réglage, l'appareil de chauffage dégagera une chaleur modérée (LOW HEAT) indiquée par l'icône correspondante et les lettres « LO » à l'écran. (Cette icône est <b>orange</b> )
			Chaleur intense	Cette icône sur le Floating Display indique une chaleur intense (HIGH HEAT). Les lettres « HI » apparaîtront à l'écran. (Cette icône est <b>rouge</b> )
			Air frais	Cette icône sur le Floating Display indique la diffusion d'air frais (COOL BLOW). Les lettres « CB » apparaîtront à l'écran. (Cette icône est <b>bleue</b> )
		-	Arrêt	Cela éteint l'appareil de chauffage et le ventilateur. Aucune icône n'est affichée sur le Floating Display. Noter que le ventilateur fonctionnera pendant 10-20 secondes après mise hors tension pour refroidir le produit et éviter des brûlures.
G		-	Réduction de la température	Appuyer plusieurs fois pour réduire la température de l'appareil de chauffage par paliers de 1 °C. La température la plus basse réglable est de 5 °C. Remarque : Lorsque vous vous serez arrêté(e) sur la température souhaitée, celle-ci clignotera 3 fois, et l'écran affichera la température ambiante détectée par le produit. Si la température réglée est inférieure à la température ambiante détectée, l'appareil de chauffage ne se déclenchera pas.
H		-	Augmentation de la température	Appuyer plusieurs fois pour augmenter la température de l'appareil de chauffage par paliers de 1 °C. La température la plus élevée réglable est de 37 °C. Remarque : Lorsque vous vous serez arrêté(e) sur la température souhaitée, celle-ci clignotera 3 fois, et l'écran affichera la température ambiante détectée par le produit. Si la température réglée est inférieure à la température ambiante détectée, l'appareil de chauffage ne se déclenchera pas.

## Modes d'utilisation :

Nom /description du mode	Action (Les actions ne peuvent être déclenchées par télécommande)
Passer des Celsius (° C) aux Fahrenheit (° F)	Presser en même temps le bouton à 3 Points (  ) et à 2 Points (  ) sur l'unité et maintenir enfoncé jusqu'à ce qu'un signal sonore se fasse entendre et que l'écran clignote. (Pour revenir aux Celsius, répéter cette action)
Désactiver/activer les options de chaleur	Presser en même temps le bouton à 1 Point (  ) et le bouton de Flamme (  ) sur l'unité pendant 2 secondes. Une fois l'appareil de chauffage éteint, « -- » s'affichera à l'écran et un signal sonore retentira. Pour activer la chaleur, répéter cette action.

## Télécommande - Voir fig. 3

La portée maximale de la télécommande est d'environ 5 mètres.

REMARQUE : il faut un certain temps pour que le récepteur réponde à l'émetteur.

REMARQUE : le récepteur de la télécommande se trouve dans l'écran. Viser dans sa direction avec la télécommande lorsque l'on souhaite commander l'unité à distance.

Ne pas appuyer sur les boutons plus d'une fois dans un intervalle de deux secondes pour assurer un fonctionnement correct.

## Informations concernant les piles - Voir fig. 3

1. Pour activer la télécommande, retirer la languette d'isolement transparente de la pile située à la base de la télécommande. Cette languette vise à garantir que l'utilisateur reçoive la télécommande parfaitement chargée.

2. Pour remplacer la pile de la télécommande, suivre les instructions gravées au dos

3. N'utiliser que des piles CR2025 ou CR2032.

## Installation de la vitre avant- Voir Figures 5, 6 et 7

REMARQUE: La vitre extérieure est expédiée séparément à la chambre de combustion.

1. Retirez les 6 vis qui retiennent les garnitures latérales comme indiqué sur la Fig. 5. et retirez les garnitures métalliques.

2. Déballez le verre, assurez-vous qu'il est exempt de poussière et de traces de doigts et placez-le dans la position indiquée sur la figure 6.

3. Positionnez les moulures métalliques retirées à l'étape 1 et fixez-les avec les 6 vis comme indiqué à la Fig. 7

## Installation- Voir fig. 4

IMPORTANT : Si ce n'est pas un manteau Dimplex qui est utilisé, la cheminée doit être installée dans une enceinte aux dimensions MINIMUM suivantes (Figure 4).

1. Choisir un emplacement adéquat qui n'est pas sujet à l'humidité et se trouve à au moins 1 mètre de tous rideaux, meubles et lieux de passage fréquentés.

2. Ranger la cheminée dans un endroit sécurisé, sec et sans poussière.

3. L'espace pour la circulation de l'air sous la cheminée est fourni par deux entretoises. NE PAS INSTALLER LA CHEMINÉE DIRECTEMENT SUR LA MOQUETTE OU DES SURFACES SIMILAIRES SUSCEPTIBLES DE GÉNER LA CIRCULATION DE L'AIR. Si la cheminée doit être installée dans un endroit recouvert de moquette, placer une surface plate monobloc sous la cheminée. Veiller à ce que tous les pieds reposent solidement sur cette surface !

4. Dans certains pays, cet appareil est fourni sans prise conformément à la réglementation locale. Si tel est le cas, cet appareil doit être installé par un installateur dûment qualifié, et les dispositifs de déconnexion doivent être incorporés dans le câblage fixe, conformément aux règles de câblage locales.

## Murs neufs

1. Choisir un emplacement adéquat qui n'est pas sujet à l'humidité et se trouve à distance de tous rideaux, meubles et lieux de passage fréquentés.

2. Placer la cheminée à l'endroit souhaité pour voir ce que cela donnera dans la pièce.

3. Marquer l'emplacement souhaité au sol.

4. À l'aide de goujons, délimiter une ouverture de 680 mm de large X 585 mm de haut X 229 mm de profondeur. (DF2608)

À l'aide de goujons, délimiter une ouverture de 775 mm de large X 654 mm de haut X 298 mm de profondeur. (DF3020)

### Option n° 1

Le cordon d'alimentation peut passer derrière l'habillage, le long du mur, jusqu'à une prise à proximité de la cheminée.

### Option n° 2

Une nouvelle prise peut être installée à l'intérieur de l'encadrement. Brancher la cheminée sur une prise de 10-13 ampères/230-240 volts. Si le cordon est trop court, il est possible d'utiliser une rallonge à 3 âmes de 10 Ampères minimum.

## Cheminée existante

1. Calfeutrer tous les orifices de tirage et aérations avec un isolant non fibreux pour empêcher que des débris de la cheminée tombent dans l'appareil. Ne pas installer l'insert dans une cheminée existante exposée à l'humidité.

2. Couvrir le conduit de cheminée d'un chapeau pour empêcher la pluie de pénétrer.

3. Planifier votre alimentation électrique.

4. Le cordon d'alimentation peut courir le long du devant du foyer jusqu'à une prise à proximité de la cheminée.

## Disjoncteur thermique

Le disjoncteur de surchauffe intégré arrête automatiquement l'appareil en cas d'anomalie. Si cela se produit, arrêter l'appareil ou le débrancher.

Retirer toute obstruction susceptible d'avoir provoqué la surchauffe. Après une brève phase de refroidissement, l'appareil est de nouveau prêt à fonctionner. Si le problème se reproduit, consulter votre revendeur.

AVERTISSEMENT : Afin d'éviter tout danger lié à une réinitialisation accidentelle du coupe-circuit thermique, cet appareil ne doit pas être alimenté par un dispositif de commutation externe (un minuteur par exemple) ou raccordé à un circuit qui est allumé et éteint régulièrement par la compagnie d'électricité.

## Entretien

**⚠ AVERTISSEMENT : TOUJOURS DÉBRANCHER DU SECTEUR AVANT DE RÉALISER TOUTE OPÉRATION DE MAINTENANCE.**

## Diode électroluminescente

L'appareil est doté de DEL (Diodes électroluminescentes). Ces DEL ne nécessitent aucune maintenance, et ne devraient pas nécessiter un remplacement pendant la durée de vie du produit.

## Nettoyage

**⚠ AVERTISSEMENT : TOUJOURS DÉBRANCHER L'APPAREIL DE CHAUFFAGE DU SECTEUR AVANT DE LE NETTOYER.**

Pour un nettoyage général, utiliser un chiffon de dépoussiérage propre. Ne jamais utiliser de produits nettoyants abrasifs. La vitre permettant de voir les flammes doit être nettoyée délicatement avec un chiffon doux.

NE PAS utiliser de produit spécifiquement conçu pour le nettoyage des vitres.

Utiliser la brosse douce d'un aspirateur de temps à autre pour nettoyer la grille du ventilateur et éliminer la poussière et les peluches qui se sont accumulées.

AVERTISSEMENT : ne pas utiliser le produit sans la grille et la vitre extérieure, car cela pourrait affecter le fonctionnement de l'appareil de chauffage.

## Recyclage

Pour les appareils électriques vendus dans les pays de l'Union européenne. Les appareils électriques en fin de vie ne doivent pas être jetés avec les ordures ménagères. Veuillez recycler dans les centres existants. Contacter les services publics ou le fournisseur de l'appareil pour obtenir des conseils de recyclage pertinents dans votre pays.



## Service après-vente

Si vous avez besoin du service après-vente ou si vous souhaitez acheter des pièces de rechange, veuillez contacter le fournisseur de l'appareil ou appeler le numéro du service indiqué sur la carte de la garantie dans votre pays.

Pour éviter des risques de perte ou de détérioration et ne pas retarder le service, veuillez ne pas nous renvoyer votre appareil défectueux. Veuillez conserver votre reçu comme preuve d'achat.